

## Specifications

### **Infresco Main Unit**

Mains Voltage	230Vac +/-10% 50 Hz
Max load at 20°C ambient	6 kW
Power Consumption	50mA
PIR Set Time Period	5 Minutes
Temperature Set point	5°C to 25°C
Factory Set Temperature trip point	20°C
IP Rating	65
Gland Diameter	Max Cable Entry 2.5mm <sup>2</sup>
2 Lamp Installation	Must be fitted in Parallel
Operating Temperature	-20°C to 30°C
IP Rating	IP65
Max Unit Operating Temperature	65°C
Dimensions	W=280mm D=200mm H=80mm 'D' inclusive of Glands

### **PIR Movement Sensor (optional)**

Operating Voltage	12V dc
Direction	90°Adjustable
Detect	18 Metres

### **Outdoor Temperature Sensor (optional)**

Dimensions	W=115mm D=110mm H=55mm
------------	------------------------

#### WARNING

It is important that the Infresco IR is not mounted directly to any flammable material i.e. wood.

It is recommended that the heatsink be spaced off any the mounting wall using pillars to aid in heat dissipation

It is recommended that installation and maintenance of this equipment should be done with reference to the current edition of the I.E.E. wiring regulations (BS7671) by suitably qualified/trained personnel.

These regulations contain important requirements regarding safety of electrical equipment (for International Standards refer to I.E.C/ directive IEC950).

# INFRESCO

## Installation & Users' Manual 6kW IR Control



**RoHS Compliant  
Directive  
2002/95/EC**

## INTRODUCTION

The Infresco has been designed specifically to work with Infra Red Heaters, with a rating of 4kW it will allow you to control a variety of heating and lighting solution.

The Infresco has a 1 to 10 step setting allowing you to find the optimum comfort setting in you specific area. With energy saving a major factor in the design brief, once the Infresco is switched on it will automatically manage the heating system. With a built in temperature sensor only allowing the unit to switch on when required and a PIR that will detects a requirement for the heater to switch on only when needed. An optional remote control allows for the unit to be fitted out of the way so safety is paramount. The Infresco has a built in soft start function which will add up to an additional 30% life to your heater lamp.

## APPLICATIONS

Any application where high inrush current is an issue or control is required. Typical use is for Infra Red Heating lamps, Garden lighting

## FEATURES

Soft Start – up to 30% extended life of Lamp

Variable Control – Ability to find comfort level

Simple Installation – Ability to plug directly in 13A Plug with up to 3kW load

Energy Saving – Automated system. (Only heat when required)

Temperature Monitoring – If ambient temperature is above preset the Infresco unit remains switched off

## SAFETY FIRST

Please read these instructions before installing and operating this product. (See warning for additional information).

## Installation

The ideal site for the PIR to be mounted is approximately 2.5 + Meters of the floor. Ceiling mounting is preferred but not essential

The PIR must not be mounted.

- Directly in line of the lamps output
- Highly reflective surfaces
- Radiators or other thermostatically controlled heaters
- Open door ways with people walking past

## Commissioning

**NOTE: On switch on the PIR takes 60 seconds to set before detection takes place**

**NOTE:** The PIR continues to monitor the area and will reset to the set time every time it detects movement.

Before testing ensure the wiring is correct. The temperature trip point has already been preset at the factory. The timer is preset to 5 minutes.

The expected detection area can now be “walked tested” using the diagram shown in mind. The area should be crossed in various directions to ensure coverage is as expected.

## Display Features

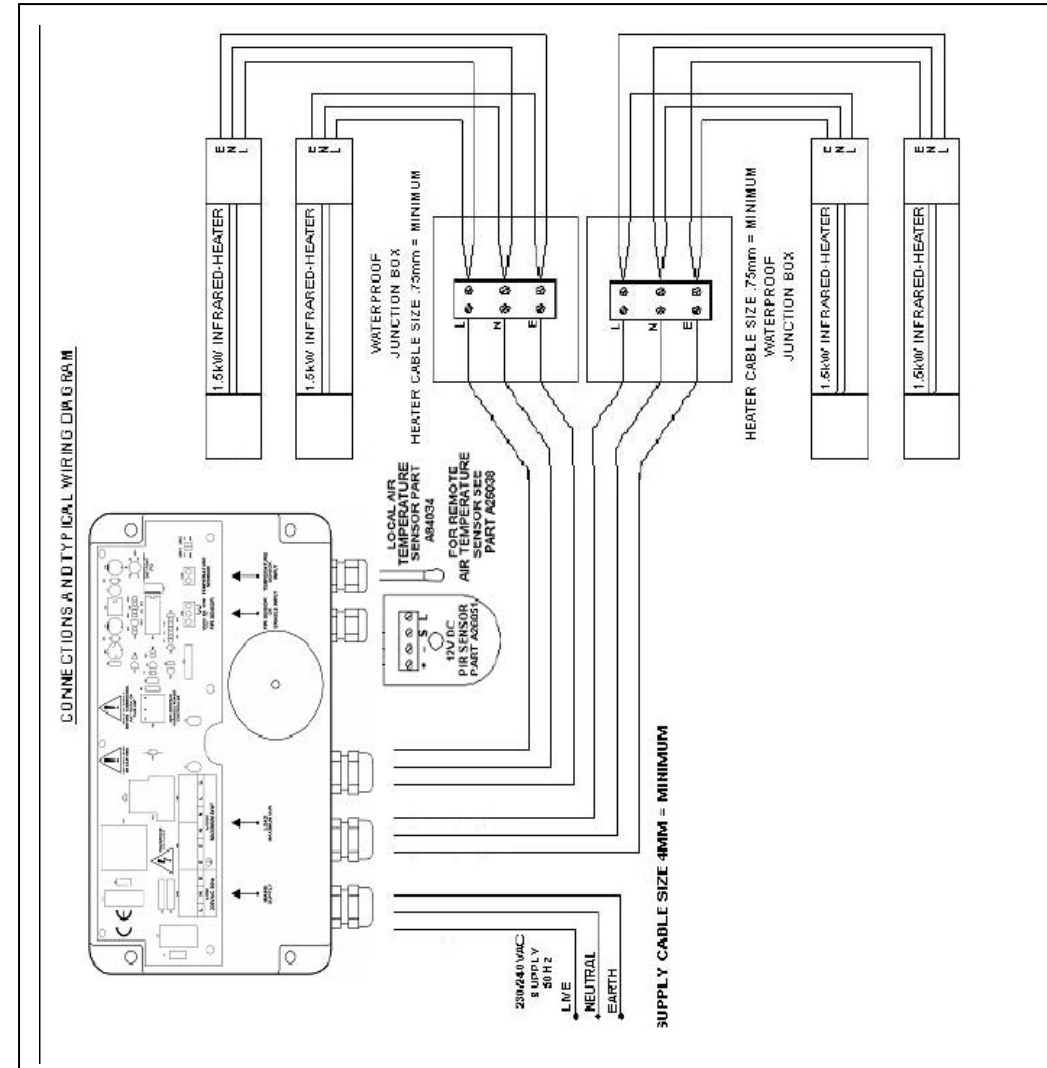
Display shows ‘1’ The Infresco is turned OFF as the ambient temperature is above the trip level set by TEMP. SET.

Display shows ‘F’ The Infresco is set to FULL output.

Display decimal point pulses The PIR input is waiting to be enabled i.e. no movement.

Display decimal point fully on The Infresco is in Standby mode pressing the remote control POWER button will toggle the power ON and OFF.

You can check the remote control is transmitting by observing the decimal point flashing rapidly.



**UIJTHOVEN  
INFRAROOD**

Uijthoven Infrarood  
Nijverheidstraat 31  
4261 TK Wijk en Aalburg The Netherlands  
Phone: 00 31 416 532724  
Fax: 00 31 416 532719  
E-mail: [info@uithoven.nl](mailto:info@uithoven.nl)  
Web: [www.uithoven.nl](http://www.uithoven.nl)